

R08IP8M-RTU1GP

8.4" Intel® Pentium® N4200 Industrial Rugged Tablet



KEY FEATURES

- Intel® Pentium® N4200 Apollo Lake processor, industrial rugged tablet
- Alu-Mg alloy housing with protective rubber
- MIL-810G Shock, Vibration and Drop Std.
- Trusted platform module (TPM) V2.0
- Built-in wireless, BT, GPS
- Optional 4G LTE
- Adjustable kickstand handle (Optional)



SPECIFICATIONS

Display	
Resolution	800x600
Contrast Ratio	600:1
View Angles	75,75,60,70
Size	8.4 inches
Panel Brightness	600.0 nits
Touch / Glass	Resistive Touch Screen (Optional) Protection Glass w/o Touch Function (Optional)
System Specification	
Processor	Intel Pentium N4200 1.1GHz (up to 2.5GHz)
Storage	1 x M.2 2242 SSD 128GB M.2 2242 SSD up to 512GB (Optional)
Security	TPM 2.0
WLAN	Wi-Fi Support
WWAN	4G/ LTE or 3G (Optional)
Memory	1 x SO-DIMM, DDR3L 1600 MHz, 4GB 8GB (Optional)
Ethernet controller	2 x Intel® Ethernet Controller
Operating System	Windows 10 IoT Enterprise (Optional) Linux Ubuntu 20.04 (Optional)
BT	BT Support
GNSS	Supports GPS GLONASS, Galileo, BeiDou) (Optional)
Mechanical	
Dimension	266 x 224 x 50.4 mm
Mounting	VESA Mount
Cooling System	Fanless design
Weight	2.4 kg
Enclosure	Magnesium Alloy
Environment	
Operating Humidity	10% to 90% RH, Non-Condensing
Storage Temperature	-20°C to 60°C
Vibration	MIL-STD-810G Method 514.6 Procedure I
Drop	MIL-STD-810G Method 516.6 Procedure IV
Operating Temperature	-10°C to 50°C (14°F to 122°F) (Battery mode) -20°C to 60°C (4°F to 158°F) (AC mode)"
Shock	MIL-STD-810G Method 516.6 Procedure I
IP rating	IP54
Certification	
Certification	CE, FCC
IO Ports	
USB Port	2 x USB3.2 Gen1x1 (Type-A)
SD Card Slot	1 x Micro SD card Slot
Serial Port	1 x RS232/422/485 (Default RS232)
SIM Card Slot	1 x Micro SIM card Slot

Audio	1 x Audio Combo Connector (Mic in / Line Out) 2 x Speaker	LAN	1 x Giga LAN RJ45 Connector
Indicator	1 x LED Indicator for power 1 x LED Indicator for HDD 1 x LED Indicator for Battery status 1 x LED Indicator for Wifi		
Control			

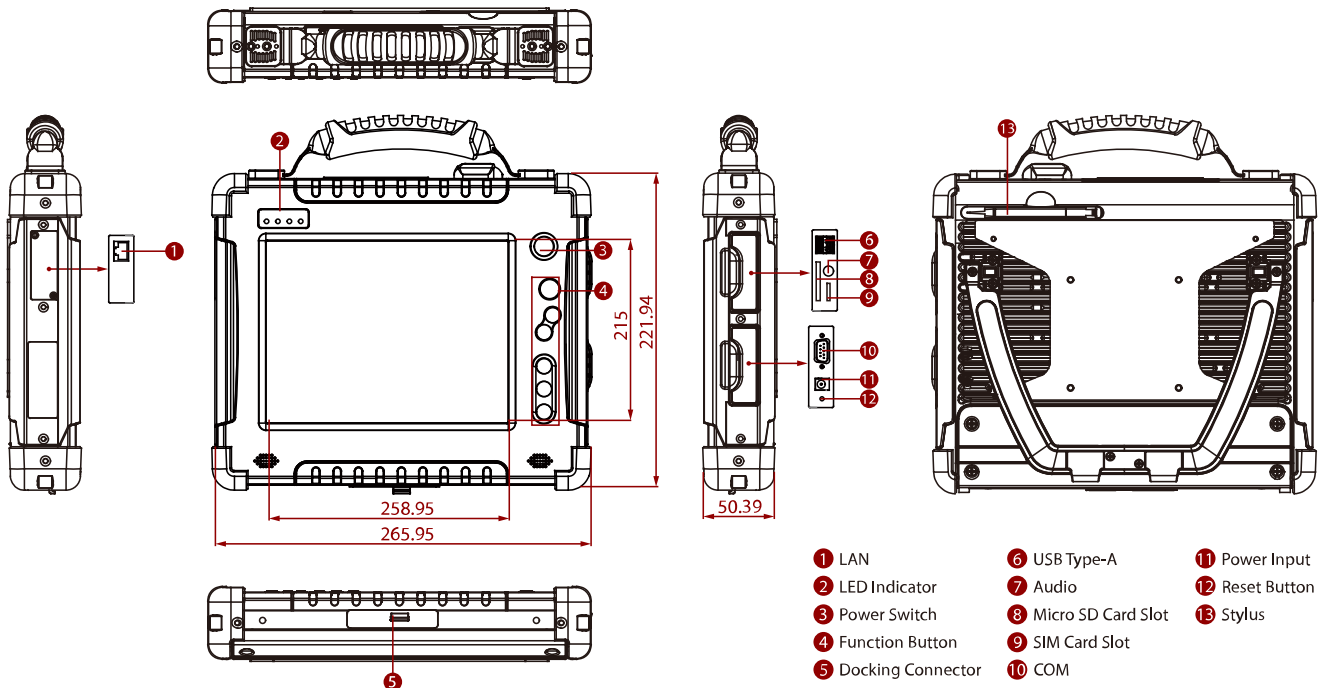
Button	1 x Power button 1 x Menu button 1 x Up button 1 x Down button 3 x Function key button
---------------	--

Accessory			
Accessory	100~240V AC to 19V DC 65W Adapter Power Cord 11.1V / 5200mAh Battery Quick Start Guide Stylus	Optional Accessory	Adjustable Kickstand (Optional) Multi-functional Desktop Docking station (Optional) Vehicle Mounting Charger Kit (Optional) Car Power Charger (Optional) Hand Strap (Optional) Shoulder Strap (Optional) Soft Shell Case (Optional) Carry Bag (Optional)

Barcode Scanner			
Barcode Scanner	2D Barcode Reader (Optional)		

Camera			
Front Camera	2MP Camera (Optional)	Rear Camera	5MP Autofocus Camera (Optional)

DIMENSIONS UNIT:MM



NOTE

1. Measured at dimming LCD brightness. Varies depending on the usage conditions, or when an external device is attached.
2. This is a simplified drawing, and some components are not marked in detail.
3. The product shown in this datasheet is a standard model. For diagrams that contain customized or optional I/O, please contact the Winmate Sales Team for more information.